

NOTES:

- A. USE M4 HARDWARE FOR MOUNTING.
- B. BEFORE CHANGING GRIP RANGE LOOSEN ADJUSTING NUT.
- C. THREAD SIZE OF HOOK IS M5.

| REV | DATE | DRAWN/CHKD | DESCRIPTION | PART NUMBER |
|-----|-----------|------------|-----------------|-------------|
| I | 16APR2007 | BWR/MDY | PRN: P2007-0521 | 91-5X2-YY |
| J | 21MAR2012 | ACH/SMM | PRN: P2012-0385 | |
| K | 02APR2014 | CMS/MGG | PRN: P2014-0655 | |
| L | 23OCT2018 | CMS/CBI | PRN: P2018-2441 | |
| | | | | |

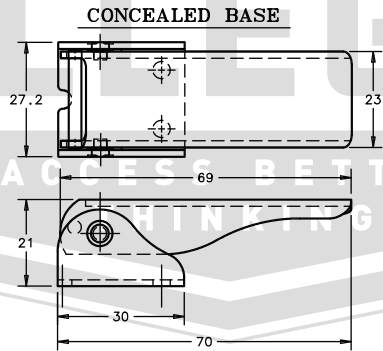
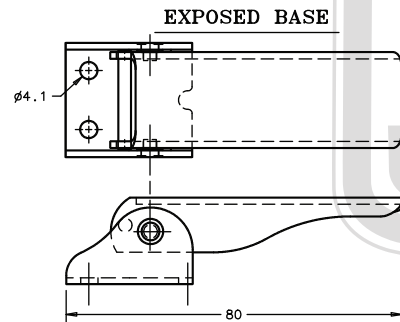
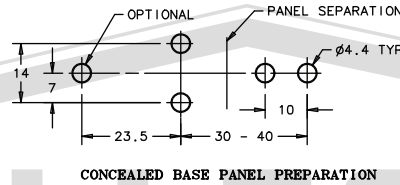
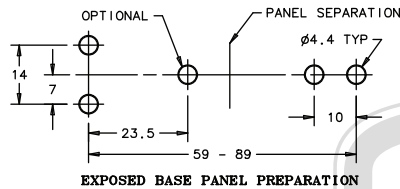
X= BASE

- 1: CONCEALED
- 2: CONCEALED, SECONDARY CATCH
- 3: CONCEALED, PADLOCK HASP
- 5: EXPOSED
- 6: EXPOSED, SECONDARY CATCH
- 7: EXPOSED, PADLOCK HASP

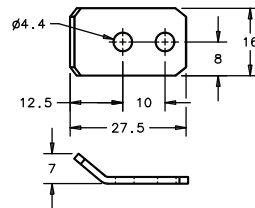
YY= MATERIAL AND FINISH

- 07: STEEL, ZINC PLATE BRIGHT
- 25: STAINLESS STEEL, BLACK E-COAT AND POWDER, (HOOK AND NUT; STAINLESS STEEL, BLACK OXIDE)
- 52: STAINLESS STEEL, PASSIVATED
- 63: STAINLESS STEEL, BLACK OXIDE

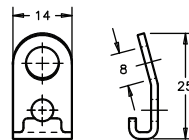
PANEL PREPARATION



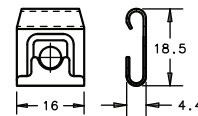
KEEPER



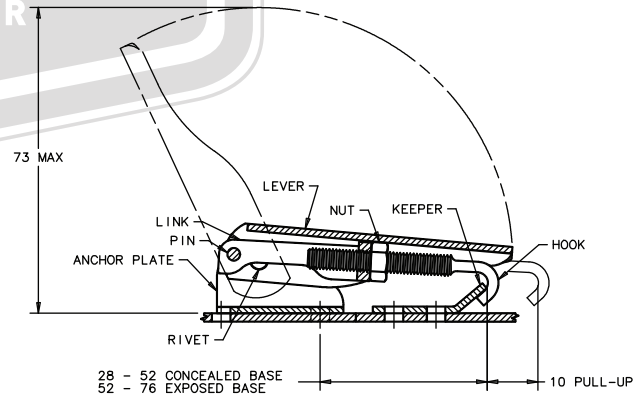
PAD-LOCKABLE HASP



SECONDARY CATCH



| KEEPER PART NUMBER | |
|------------------------------|-------------------------------|
| FINISH | HOOK STYLE KEEPER (CONCEALED) |
| STEEL, ZINC PLATE BRIGHT | 91-600-07 |
| STAINLESS STEEL, PASSIVATED | 91-600-52 |
| STAINLESS STEEL, BLACK OXIDE | 91-600-63 |



ALLEGIS

1-866-378-7550

MATERIAL:
 Stainless Steel

DRAWING NO. :
 91-512-52

FINISH:
 Passivated

REV.:
 1:1

DATE:
 5/29/2019